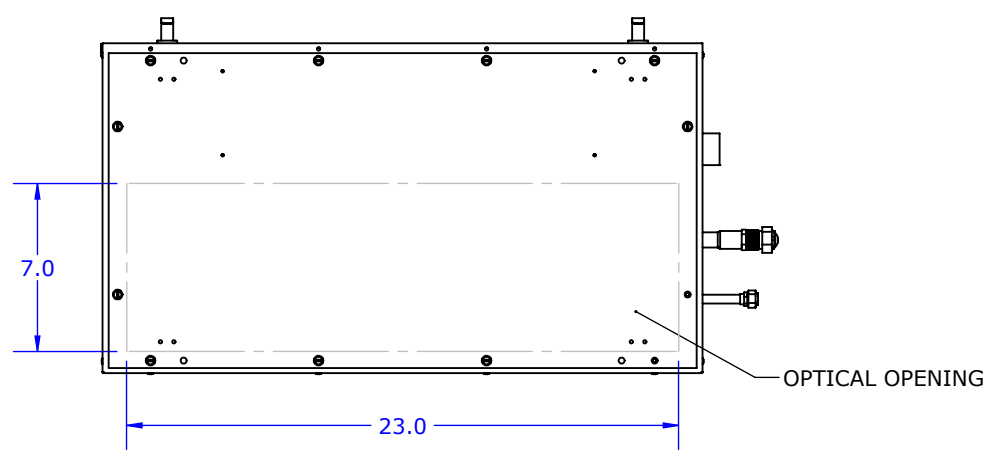
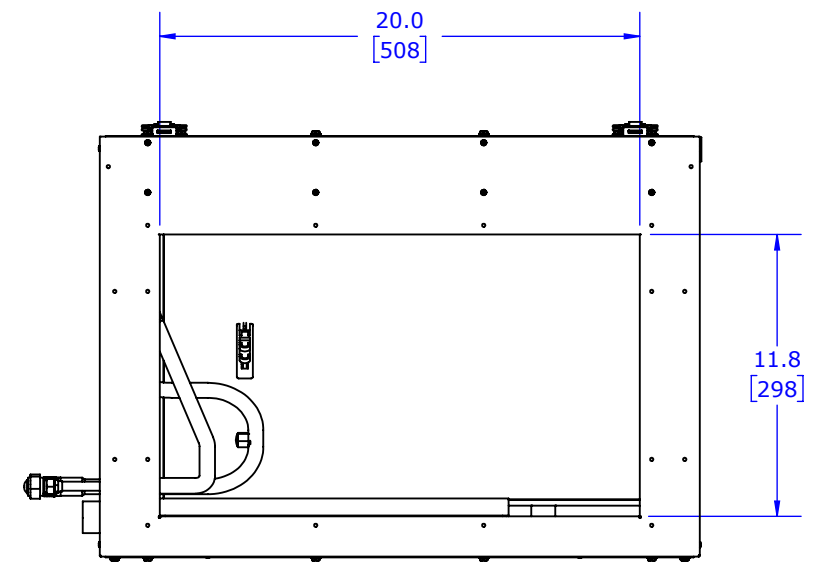
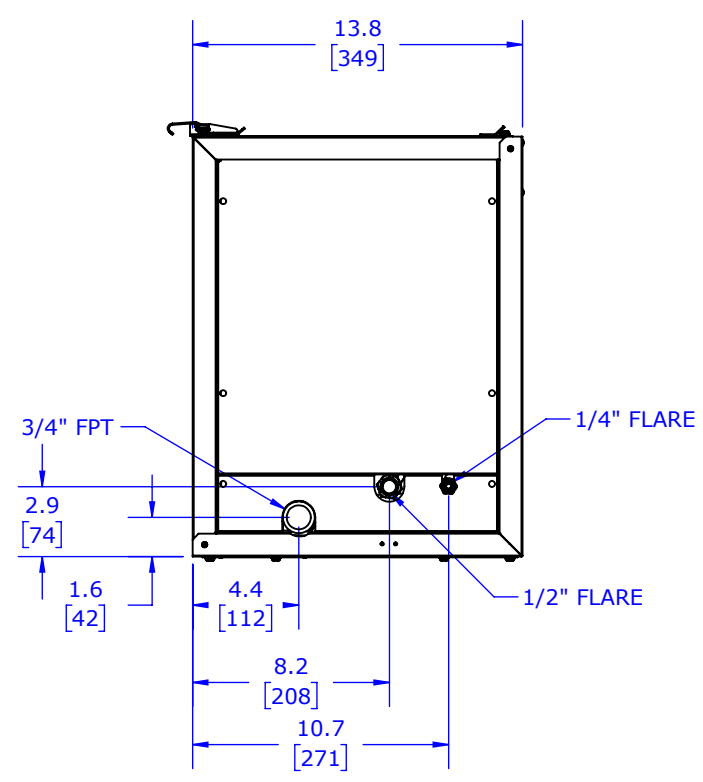
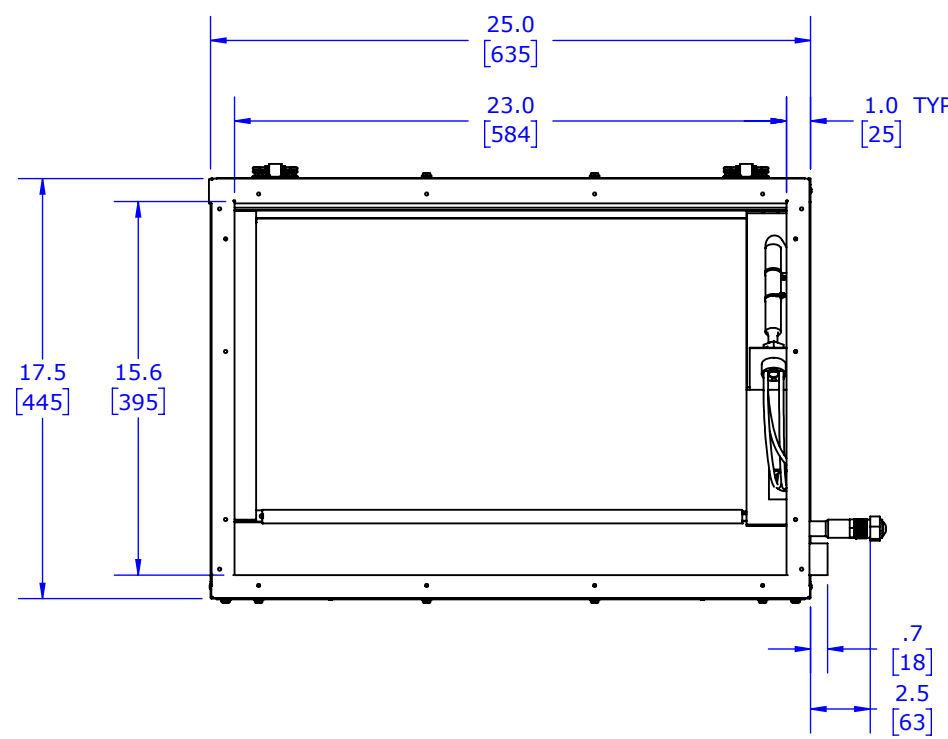
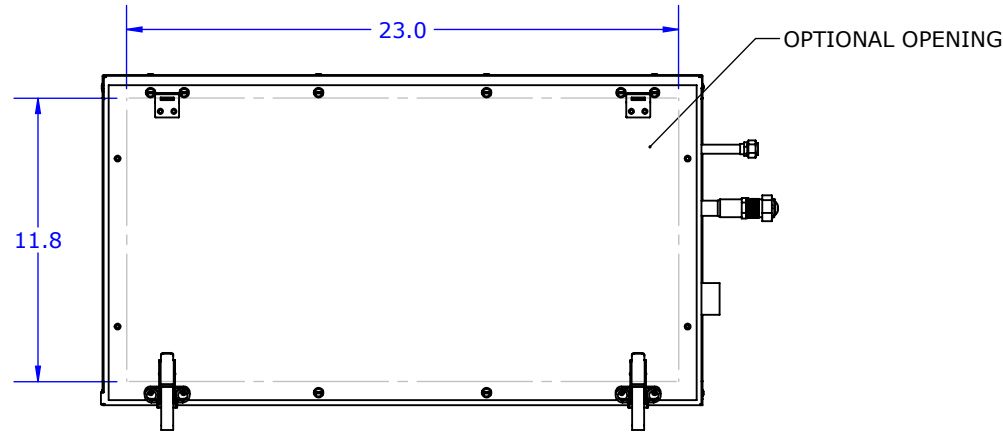


8 7 6 5 4 3 2 1

D  
C  
B  
A

D  
C  
B  
A



NOTES:  
1. ALL DIMENSIONS ARE IN INCHES [MM] UNLESS OTHERWISE SPECIFIED.

DATE 10/4/17	MODEL NO. M2430CL1-A
-----------------	-------------------------

8 7 6 5 4 3 2 1