

Modular Vertical Configuration

All *Unico System* air handlers may be installed for horizontal or vertical airflow although there are some special limitations for the vertical configuration.

The modular air handlers are shipped ready for horizontal airflow applications. See Figure 1 for packing lists of each Vertical Plenum Kit.

The MV4860 Vertical Plenum Kit is not shipped with the Vertical Spacer Module, since it is shipped with the MC4860C/H Cooling Module. The reason for this is the Vertical Spacer Module is needed with the M4860 unit in the horizontal configuration.

To assemble in the vertical configuration, it is only a matter of connecting the modules with the latches in the correct configuration. Refer to *Bulletin 30-20, Installation Manual for 'M' Series Modular Air Handler Units*, for a step-by-step description of the conversion process.

Although the modules may be assembled without a spacer module, this can severely restrict the airflow, especially for the largest condenser match for each coil.

Therefore, the spacer module must be used when matching the 4860 to a 5 ton condensing unit or when matching the 2430 to a 2.5 ton condensing unit.

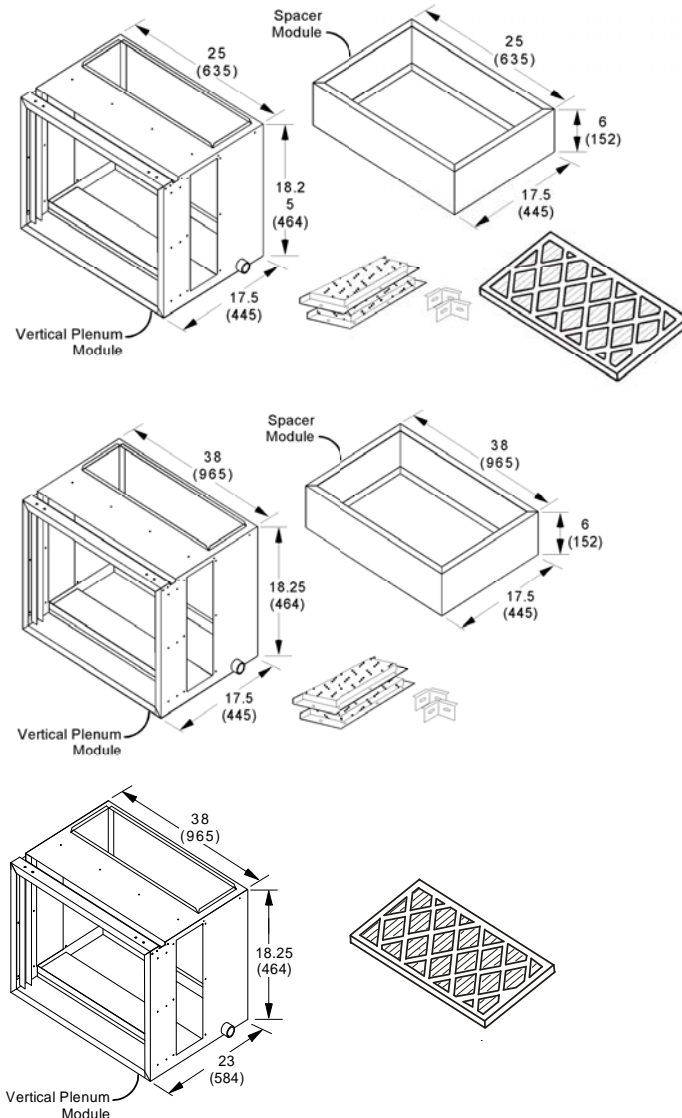


Figure 1. Vertical Kit Packing List

MV2430 Vertical Plenum Kit

- Kit includes
- Vertical Plenum Module
 - Vertical Spacer Module
 - Pleated Filter
 - 2 Insulated filler plates
 - 2 Brackets
 - Screws
 - Latches
 - Latch Keepers
 - Insulation Strips

MV3642 Vertical Plenum Kit

- Kit includes
- Vertical Plenum Module
 - Vertical Spacer Module
 - Pleated Filter
 - 2 Insulated filler plates
 - 2 Brackets
 - Screws
 - Latches
 - Latch Keepers
 - Insulation Strips

- Features:
- Everything needed for converting horizontal to vertical system is included
 - Easy to install

MV4860 Vertical Plenum Kit

- Kit includes
- Vertical Plenum Module
 - Pleated Filter
 - Screws
 - Latches
 - Latch Keepers
 - Insulation Strips

- Features:
- Everything needed for converting horizontal to vertical system is included
 - Easy to install

